



UES

Drawer Slides

Steel Drawer Slides

DSCHLD300MM → DSCHHD1900MML

MATERIAL

Hardened Steel

FINISH

Zinc Plated



Custom sizes are available upon request, however minimum quantities will apply. Please contact your nearest branch to discuss your requirements.

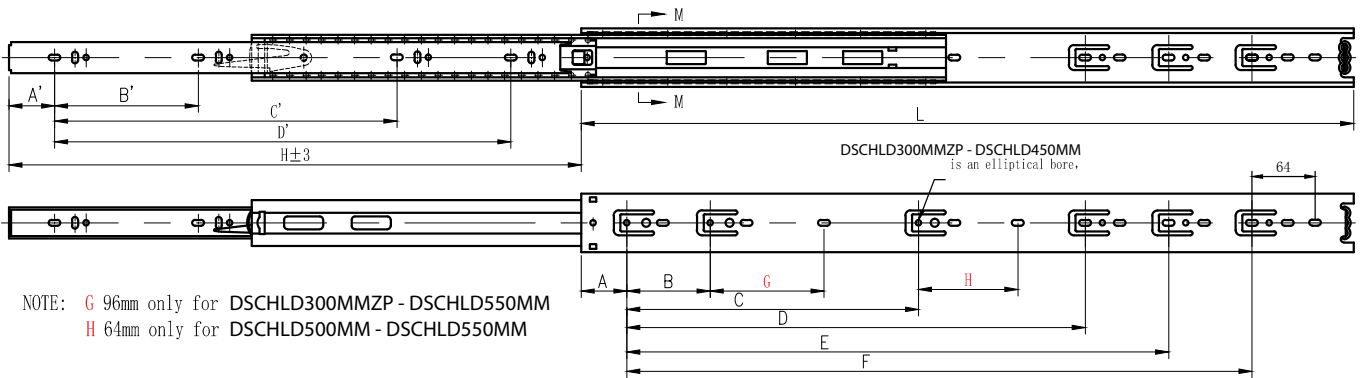
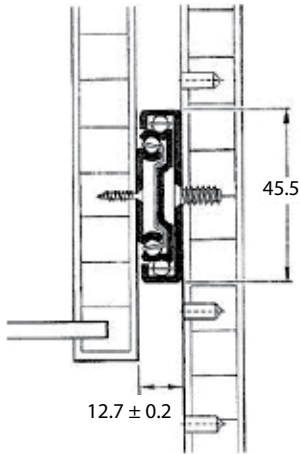
SLIDE TABLE (SWL)

WEIGHT / LENGTH	300mm	350mm	400mm	450mm	500mm	550mm	600mm	700mm	800mm	900mm	1000mm	1100mm	1200mm	1300mm	1400mm	1500mm	1900mm
20kg	Light	Light	Light	Light	Light	Light	Light	Light	Medium	Medium	Medium	Heavy	Heavy	Heavy	Heavy	Heavy	Heavy
30kg	Light	Light	Light	Light	Light	Light	Light	Light	Medium	Medium	Medium	Heavy	Heavy	Heavy	Heavy	Heavy	Heavy
40kg	Light	Light	Light	Light	Light	Light	Light	Light	Medium	Medium	Medium	Heavy	Heavy	Heavy	Heavy	Heavy	Heavy
50kg	Light	Light	Light	Light	Light	Light	Light	Light	Medium	Medium	Medium	Heavy	Heavy	Heavy	Heavy	Heavy	Heavy
60kg	Light	Light	Light	Light	Light	Light	Light	Light	Medium	Medium	Medium	Heavy	Heavy	Heavy	Heavy	Heavy	Heavy
70kg	Light	Light	Light	Light	Light	Light	Light	Light	Medium	Medium	Medium	Heavy	Heavy	Heavy	Heavy	Heavy	Heavy
80kg	Light	Light	Light	Light	Light	Light	Light	Light	Medium	Medium	Medium	Heavy	Heavy	Heavy	Heavy	Heavy	Heavy
90kg	Light	Light	Light	Light	Light	Light	Light	Light	Medium	Medium	Medium	Heavy	Heavy	Heavy	Heavy	Heavy	Heavy
100kg	Light	Light	Light	Light	Light	Light	Light	Light	Medium	Medium	Medium	Heavy	Heavy	Heavy	Heavy	Heavy	Heavy
110kg	Light	Light	Light	Light	Light	Light	Light	Light	Medium	Medium	Medium	Heavy	Heavy	Heavy	Heavy	Heavy	Heavy
120kg	Light	Light	Light	Light	Light	Light	Light	Light	Medium	Medium	Medium	Heavy	Heavy	Heavy	Heavy	Heavy	Heavy
130kg	Light	Light	Light	Light	Light	Light	Light	Light	Medium	Medium	Medium	Heavy	Heavy	Heavy	Heavy	Heavy	Heavy
140kg	Light	Light	Light	Light	Light	Light	Light	Light	Medium	Medium	Medium	Heavy	Heavy	Heavy	Heavy	Heavy	Heavy
150kg	Light	Light	Light	Light	Light	Light	Light	Light	Medium	Medium	Medium	Heavy	Heavy	Heavy	Heavy	Heavy	Heavy
160kg	Light	Light	Light	Light	Light	Light	Light	Light	Medium	Medium	Medium	Heavy	Heavy	Heavy	Heavy	Heavy	Heavy
170kg	Light	Light	Light	Light	Light	Light	Light	Light	Medium	Medium	Medium	Heavy	Heavy	Heavy	Heavy	Heavy	Heavy
180kg	Light	Light	Light	Light	Light	Light	Light	Light	Medium	Medium	Medium	Heavy	Heavy	Heavy	Heavy	Heavy	Heavy
190kg	Light	Light	Light	Light	Light	Light	Light	Light	Medium	Medium	Medium	Heavy	Heavy	Heavy	Heavy	Heavy	Heavy
200kg	Light	Light	Light	Light	Light	Light	Light	Light	Medium	Medium	Medium	Heavy	Heavy	Heavy	Heavy	Heavy	Heavy

Slide Type	Light Duty	Medium Duty	Heavy Duty
------------	------------	-------------	------------

Industrial Drawer Slides - Light Duty

Installation



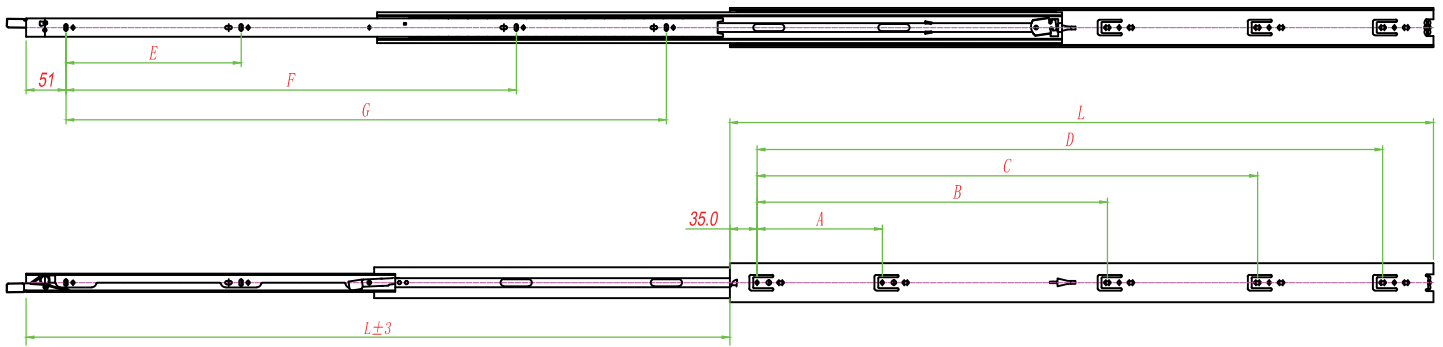
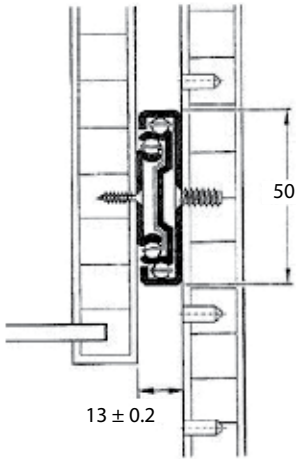
NOTE: G 96mm only for DSCHLD300MMZP - DSCHLD550MM
 H 64mm only for DSCHLD500MM - DSCHLD550MM

Part Number	L	A	B	C	D	E	F	A'	B'	C'	H
DSCHLD300MMZP	300	35	64	224	/	/	/	35	96	192	300
DSCHLD350MM	350	35	64	224	/	/	/	35	128	256	350
DSCHLD400MM	400	35	64	224	288	/	/	35	128	320	400
DSCHLD450MM	450	35	64	224	352	/	/	35	160	352	450
DSCHLD500MM	500	35	64	224	352	416	/	35	192	416	500
DSCHLD550MM	550	35	64	224	352	416	/	35	224	448	550
DSCHLD600MM	600	35	64	224	352	480	/	35	224	512	600
DSCHLD650MM	650	35	64	224	352	512	/	35	256	544	650
DSCHLD700MM	700	35	64	224	352	480	608	35	288	608	700

NOTE* If item is not stocked, MOQ of 50pcs will apply

Industrial Drawer Slides - Light Duty Lockable

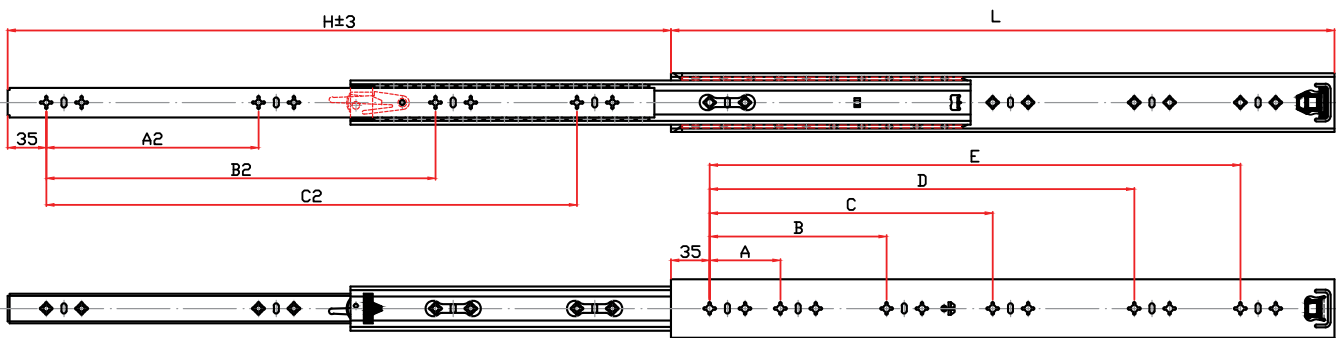
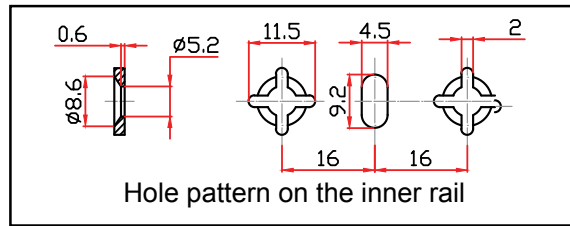
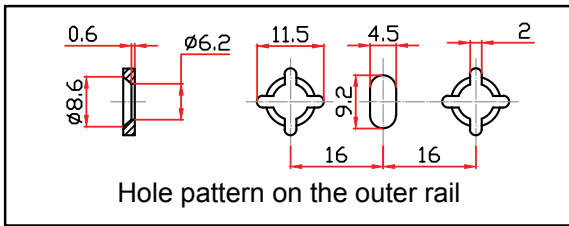
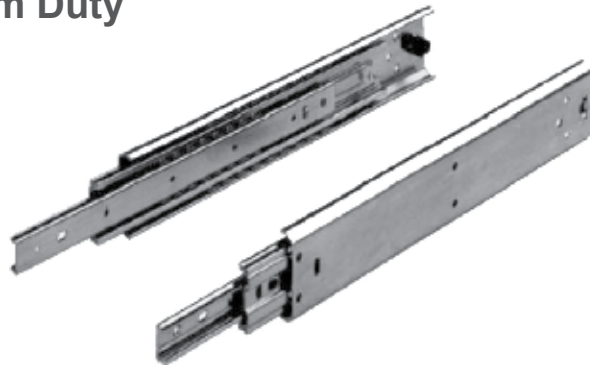
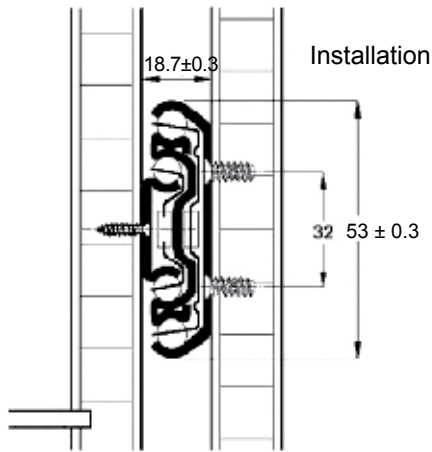
Installation



Part Number	L	A	B	C	D	E	F	G
DSCHLD350MML	350	224	/	/	/	256	/	/
DSCHLD400MML	400	256	/	/	/	256	/	/
DSCHLD450MML	450	64	256	352	/	96	320	/
DSCHLD500MML	500	64	256	384	/	96	384	/
DSCHLD550MML	550	128	320	416	/	128	384	/
DSCHLD600MML	600	128	352	480	/	160	416	/
DSCHLD650MML	650	160	352	512	/	192	384	512
DSCHLD700MML	700	160	384	544	/	192	416	576

NOTE* If item is not stocked, MOQ of 50pcs will apply

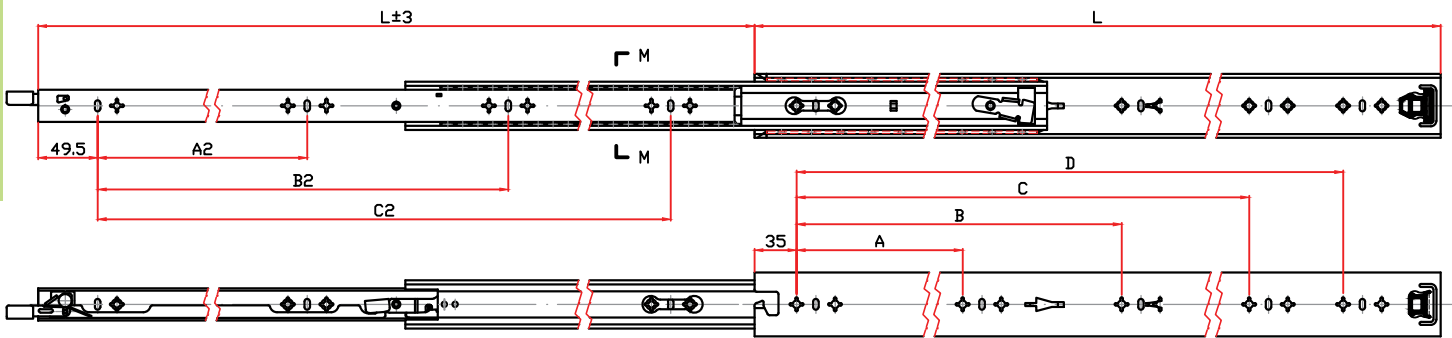
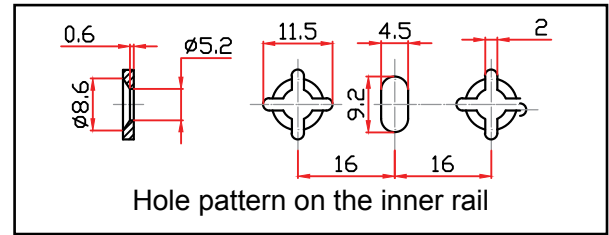
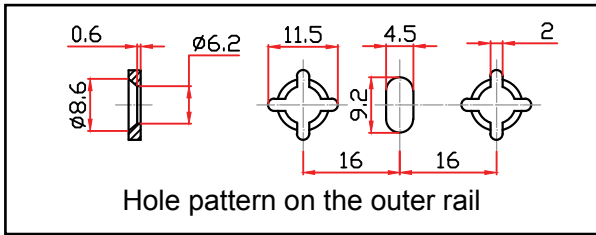
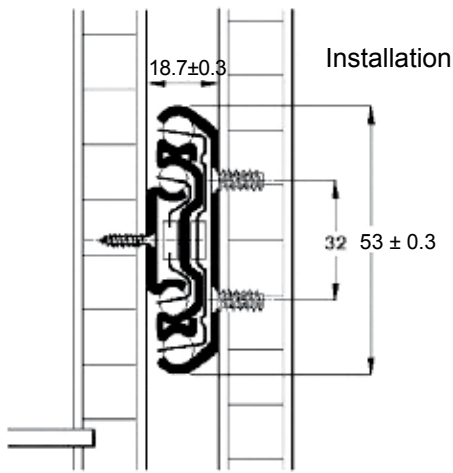
Industrial Drawer Slides - Medium Duty



Part Number	L	H	A	B	C	D	E	A2	B2	C2
DSCHMD300MM	300	300	192	/	/	/	/	192	/	/
DSCHMD350MM	350	350	224	/	/	/	/	256	/	/
DSCHMD400MM	400	400	64	288	/	/	/	96	288	/
DSCHMD450MM	450	450	64	192	320	/	/	128	320	/
DSCHMD500MM	500	500	64	224	384	/	/	160	384	/
DSCHMD550MM	550	550	64	256	416	/	/	160	416	/
DSCHMD600MM	600	600	64	256	416	480	/	192	480	/
DSCHMD650MM	650	650	64	192	288	448	512	224	384	512
DSCHMD700MM	700	700	64	192	320	480	576	224	416	576
DSCHMD750MM	750	750	64	192	352	512	608	224	448	608
DSCHMD800MM	800	800	64	192	384	544	672	224	480	672
DSCHMD850MM	850	850	64	192	416	576	736	224	512	736
DSCHMD900MM	900	900	64	192	448	608	768	224	512	768
DSCHMD1000MM	1000	1000	64	192	480	672	864	224	640	864

NOTE* If item is not stocked, MOQ of 50pcs will apply

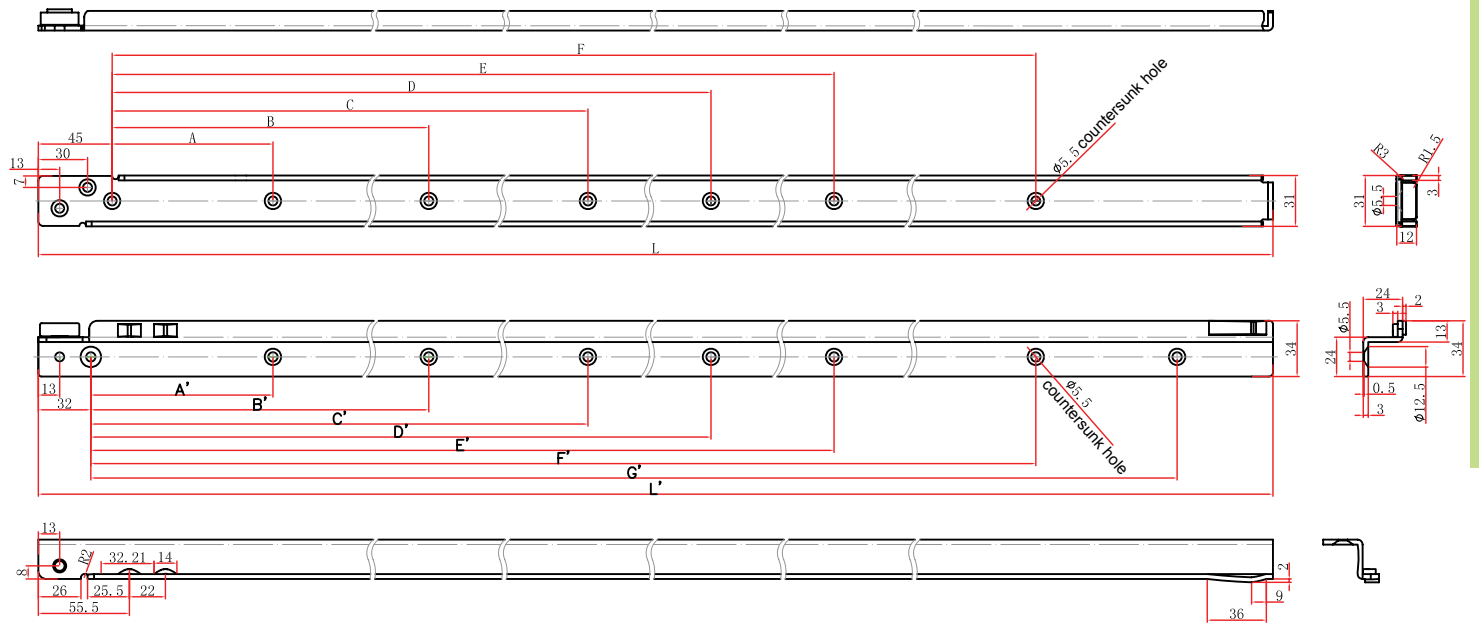
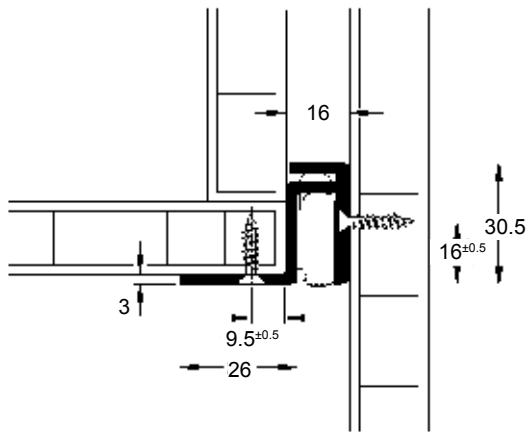
Industrial Drawer Slides - Medium Duty Lockable



Part Number	L	A	B	C	D	A2	B2	C2
DSCHMD350MML	350	224	/	/	/	256	/	/
DSCHMD400MML	400	288	/	/	/	288	/	/
DSCHMD450MML	450	192	320	/	/	96	320	/
DSCHMD500MML	500	224	384	/	/	128	384	/
DSCHMD550MML	550	256	416	/	/	160	416	/
DSCHMD600MML	600	288	480	/	/	160	480	/
DSCHMD650MML	650	288	512	/	/	192	384	512
DSCHMD700MML	700	320	576	/	/	224	416	576
DSCHMD750MML	750	192	384	608	/	224	448	608
DSCHMD800MML	800	192	384	544	672	224	480	672
DSCHMD850MML	850	192	416	576	736	224	512	736
DSCHMD900MML	900	192	448	608	768	224	512	768
DSCHMD1000MML	1000	192	480	672	864	224	640	864

NOTE* If item is not stocked, MOQ of 50pcs will apply

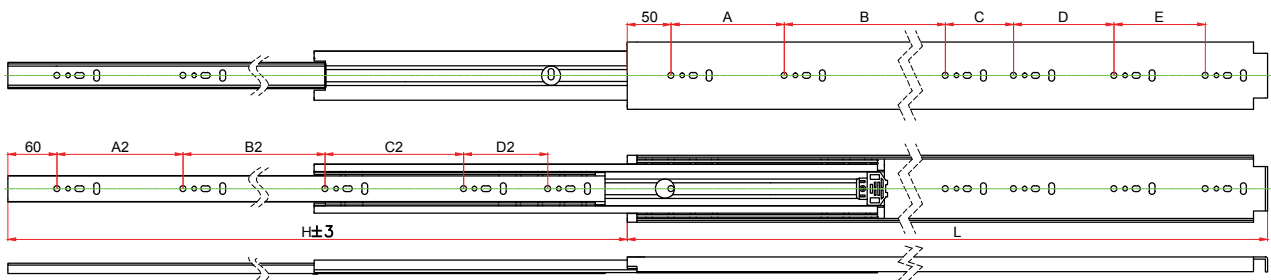
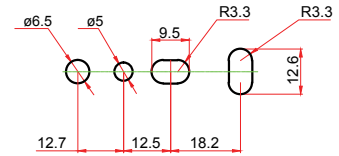
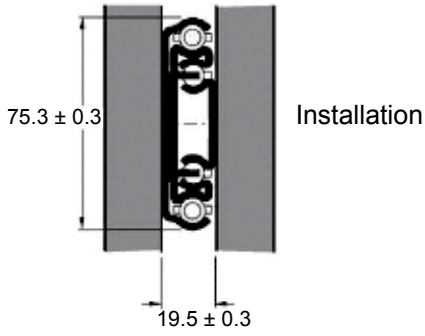
Industrial Drawer Slides - Medium Duty Bottom Mount



Part Number	Drawer Member					Slide Member					Extension Length
	L	A	B	C	D	L'	A'	B'	C'	D'	
30RR-01-450	450	98	290	/	/	448	111	303	/	/	350
30RR-01-500	500	98	290	386	/	498	111	303	399	/	400
30RR-01-600	600	98	290	482	/	598	111	303	495	/	500
30RR-01-700	700	98	290	450	578	698	111	303	463	591	600
30RR-01-800	800	98	290	546	674	798	111	303	559	687	700
30RR-01-900	900	98	290	546	770	898	111	303	559	783	800
30RR-01-1000	1000	98	290	546	866	998	111	303	559	879	900

NOTE* If item is not stocked, MOQ of 50pcs will apply

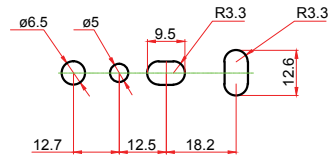
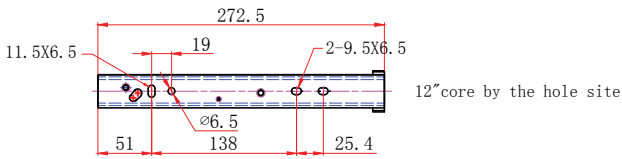
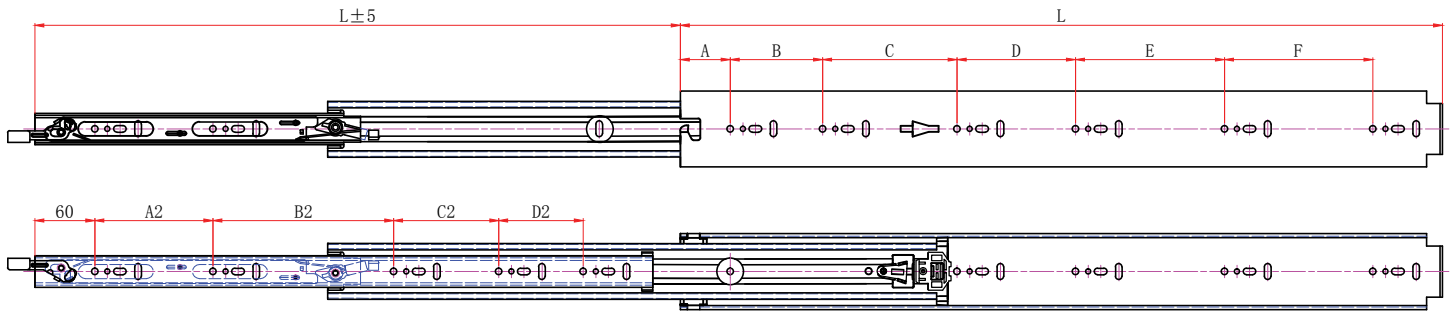
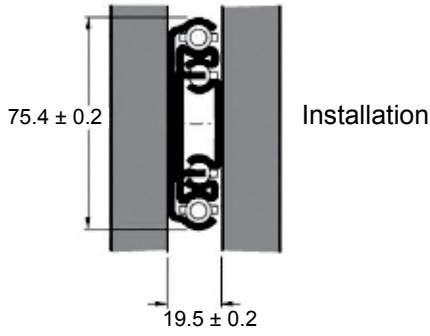
Industrial Drawer Slides Heavy Duty



Part Number	L	A	B	C	D	E	A2	B2	C2	D2	H
DSCHHD350MM	350	192	/	/	/	/	192	/	/	/	350
DSCHHD400MM	400	224	/	/	/	/	224	/	/	/	400
DSCHHD450MM	450	192	128	/	/	/	256	/	/	/	450
DSCHHD500MM	500	224	160	/	/	/	288	/	/	/	500
DSCHHD550MM	550	256	160	/	/	/	352	/	/	/	550
DSCHHD600MM	600	256	192	/	/	/	288	128	/	/	600
DSCHHD650MM	650	128	192	192	/	/	320	160	/	/	650
DSCHHD700MM	700	160	192	192	/	/	128	224	160	/	700
DSCHHD750MM	750	160	224	224	/	/	160	256	160	/	750
DSCHHD800MM	800	192	224	224	/	/	160	256	192	/	800
DSCHHD850MM	850	192	256	224	/	/	160	320	192	/	850
DSCHHD900MM	900	192	288	224	/	/	160	352	192	/	900
DSCHHD1000MM	1000	192	256	224	160	/	192	352	256	/	1000
DSCHHD1200MM	1200	224	320	256	224	/	224	384	320	/	1200
DSCHHD1300MM	1300	224	352	256	256	/	256	384	352	/	1300
DSCHHD1400MM	1400	256	384	288	288	/	288	416	384	/	1400
DSCHHD1500MM	1500	320	384	288	320	/	320	480	416	/	1500
DSCHHD1900MM	1900	288	352	320	384	320	320	384	448	512	1900

NOTE* If item is not stocked, MOQ of 50pcs will apply

Industrial Drawer Slides Heavy Duty Lockable



Part Number	L	A	B	C	D	E	A2	B2	C2	D2	H
DSCHHD350MML	350	50	224				160				350
DSCHHD400MML	400	50	224				224				400
DSCHHD450MML	450	50	192	128			256				450
DSCHHD500MML	500	50	224	160			288				500
DSCHHD550MML	550	50	256	160			352				550
DSCHHD600MML	600	50	256	192			288	128			600
DSCHHD650MML	650	50	128	192			320	160			650
DSCHHD700MML	700	50	160	192			128	224	160		700
DSCHHD750MML	750	50	160	224			160	256	160		750
DSCHHD800MML	800	50	192	224			160	256	192		800
DSCHHD850MML	850	50	192	256			160	320	192		850
DSCHHD900MML	900	50	192	288			160	352	192		900
DSCHHD1000MML	1000	50	192	288			192	352	256		1000
DSCHHD1200MML	1200	50	224	320			224	384	320		1200
DSCHHD1500MML	1500	50	320	384			320	480	416		1500